

DESCRIPTION:

AMC MODEL SWN-1140-3DR OPTION 0518 & HS65NS IS A SINGLE POLE THREE THROW REFLECTIVE SWITCH MODULE WITH LOW INSERTION LOSS, FAST SWITCHING SPEED AND WITH INTEGRAL TTL DRIVER, DESIGNED FOR 0.5 TO 18GHz.

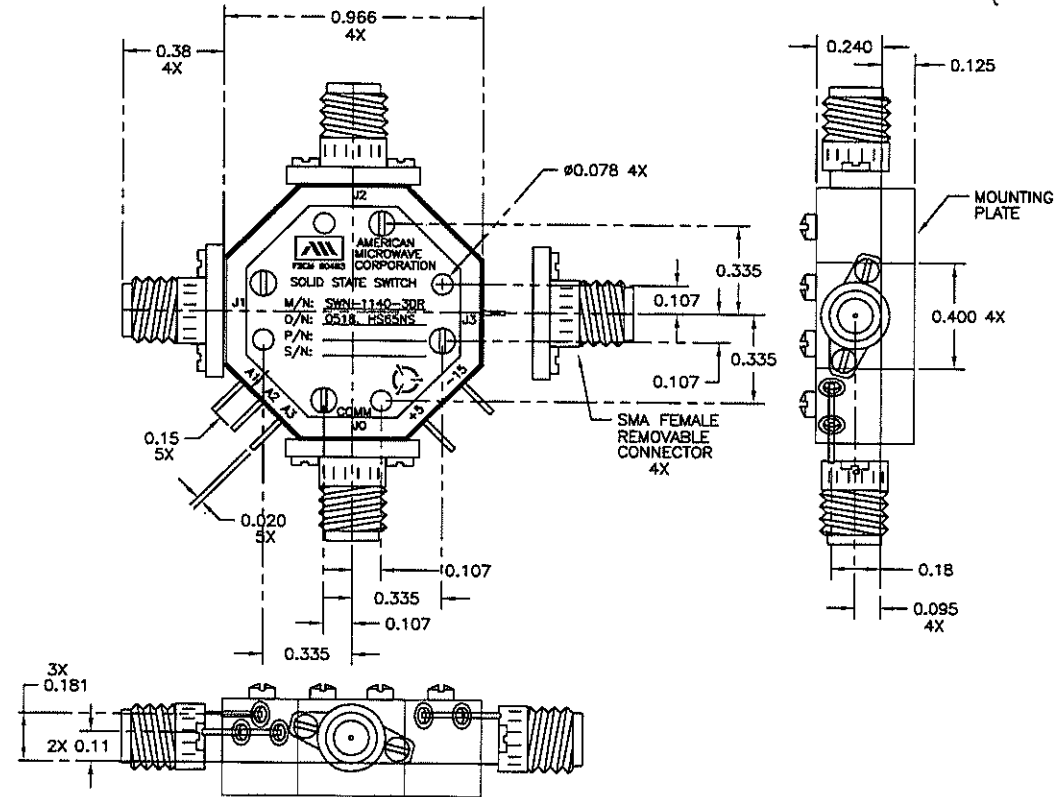
SPECIFICATIONS:

- FREQUENCY:.....0.5 TO 18GHz
- INSERTION LOSS:.....2.5 dB MAX.
- VSWR:.....2.0:1 MAX
- ISOLATION:.....60 dB MIN.
- RISE/FALL TIME:.....20nSEC MAX
- DELAY:.....65nSEC MAX.
- CONTROL:.....TTL (SEE LOGIC TABLE)
- OPERATING TEMPERATURE:.....-54°C TO +100°C
- POWER SUPPLY:.....+5 VDC ±5% @ 100 mA MAXIMUM
-15 VDC ±5% @ 50 mA MAXIMUM
- INPUT POWER:.....(CW) +20dBm (STANDARD), +10dBm (HIGH SPEED)
- SURVIVAL POWER:.....1 WATT CW , 10W PEAK 1 uS
- CONNECTORS (RF):.....REMOVABLE SMA FEMALE, 4 PLACES
- CONNECTORS (POWER):.....SOLDER PINS
- CONNECTORS (CONTROL):.....SOLDER PINS
- SIZE:.....0.966" (L) x 0.966" (W) x 0.365" (H) (WITH SPACER PLATE)

OPTIONS:

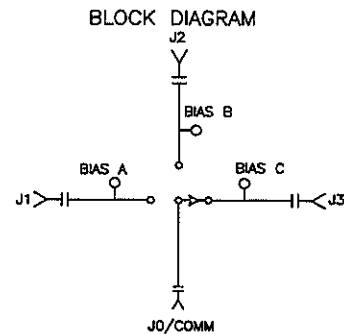
- OPTION 0518:.....0.5 TO 18GHz FREQUENCY RANGE
- OPTION HS65NS:.....65nSEC DELAY ON/OFF

REVISIONS				
ZONE	REV.	DESCRIPTION	DATE	APPROVED
-	-	ORIGINAL JOB# 801017XPE-1	2/14/08	
A		SEE ECR# 08-017	2/22/08	
B		SEE ECR# 08-018	2/27/08	
C		SEE ECR# 08-075	10/8/08	LA



LOGIC TABLE					
TERMINAL LEVEL			RF		
A1	A2	A3	COMM/J0 - J1	COMM/J0 - J2	COMM/J0 - J3
L	H	H	INSERTION LOSS	ISOLATION	ISOLATION
H	L	H	ISOLATION	INSERTION LOSS	ISOLATION
H	H	L	ISOLATION	ISOLATION	INSERTION LOSS

LOGIC L = LOW (0)
LOGIC H = HIGH (1)



ALL DIMENSIONS ARE IN INCHES
TOLERANCES:
X.XX ±0.020
X.XXX ±0.010

PRELIMINARY DESIGN

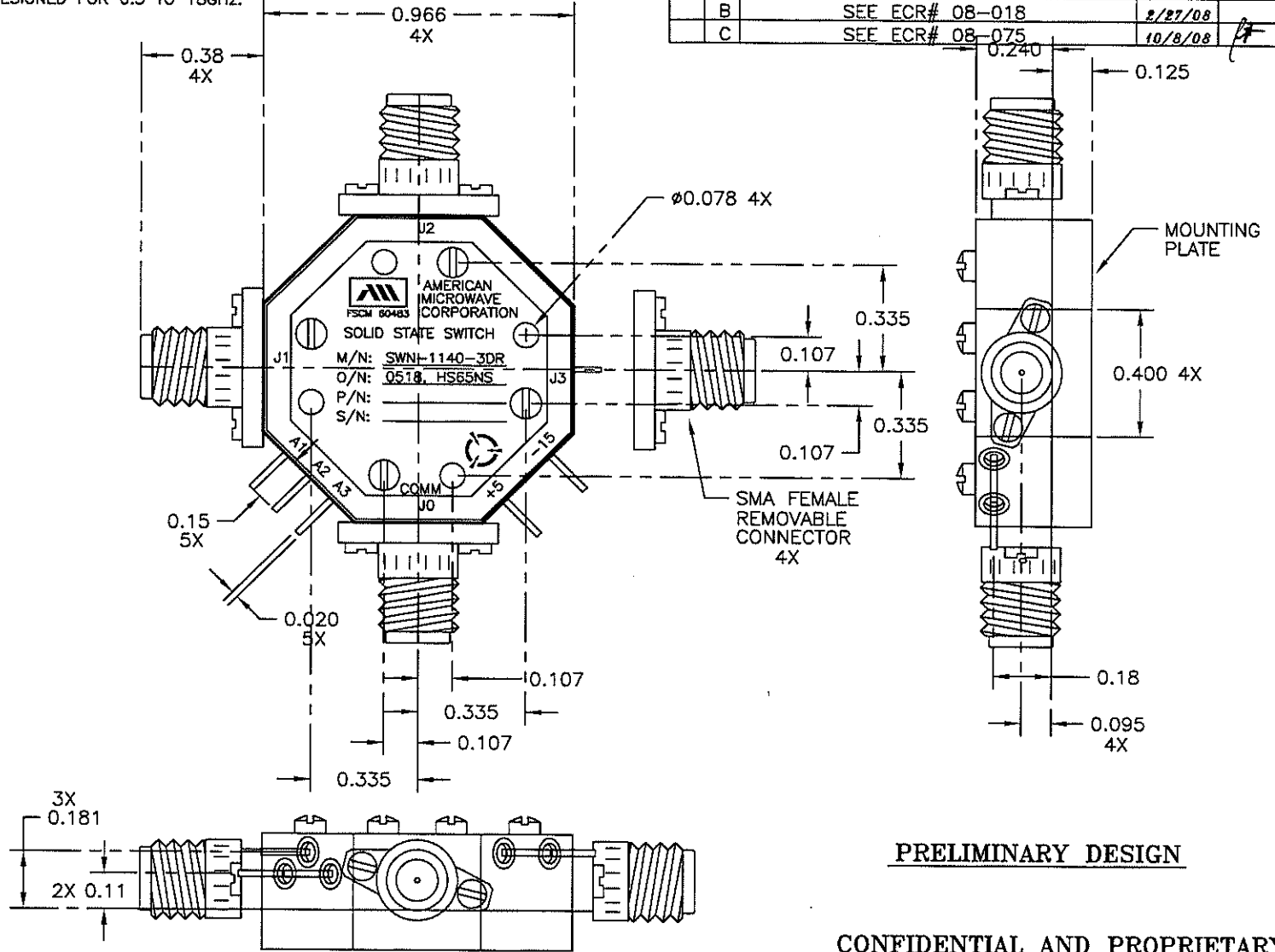
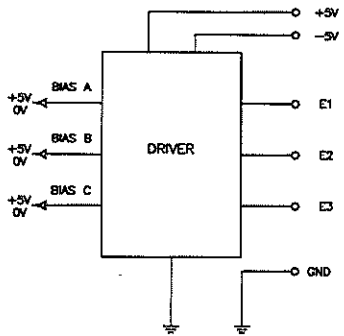
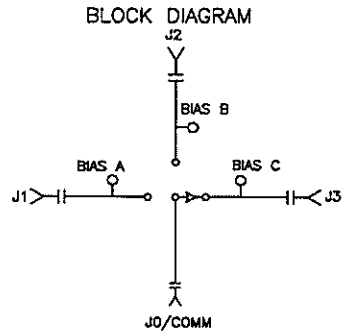
CONFIDENTIAL AND PROPRIETARY

APPROVALS		DATE	AMERICAN MICROWAVE CORPORATION FREDERICK, MARYLAND	
DRAWN <i>HALP</i>		2/14/08	TITLE PRODUCT FEATURE SWN-1140-3DR OPTION: 0518, HS65NS INDRA CODE G4004S159700A	
CHECKED <i>LA</i>		10/8/08	SIZE A	FSCM NO. 60483
ISSUED			DWG NO. 100-7751	REV. C
SCALE N/S			SHEET 1 of 3	

DESCRIPTION:

AMC MODEL SWN-1140-3DR OPTION 0518 & HS65NS IS A SINGLE POLE THREE THROW REFLECTIVE SWITCH MODULE WITH LOW INSERTION LOSS, FAST SWITCHING SPEED AND WITH INTEGRAL TTL DRIVER, DESIGNED FOR 0.5 TO 18GHZ.

REVISIONS				
ZONE	REV.	DESCRIPTION	DATE	APPROVED
-	-	ORIGINAL JOB# 801017XPE-1	2/14/08	
A	-	SEE ECR# 08-017	2/22/08	
B	-	SEE ECR# 08-018	2/27/08	
C	-	SEE ECR# 08-075	10/8/08	PA



PRELIMINARY DESIGN

CONFIDENTIAL AND PROPRIETARY

LOGIC TABLE					
TERMINAL LEVEL			RF		
A1	A2	A3	COMM/J0 - J1	COMM/J0 - J2	COMM/J0 - J3
L	H	H	INSERTION LOSS	ISOLATION	ISOLATION
H	L	H	ISOLATION	INSERTION LOSS	ISOLATION
H	H	L	ISOLATION	ISOLATION	INSERTION LOSS

LOGIC L = LOW (0)
LOGIC H = HIGH (1)

ALL DIMENSIONS ARE IN INCHES
TOLERANCES:
X.XX ±0.020
X.XXX ±0.010

APPROVALS		DATE	AMERICAN MICROWAVE CORPORATION FREDERICK, MARYLAND		
DRAWN		2/14/08	TITLE		
CHECKED		10/8/08	PRODUCT FEATURE		
ISSUED			SWN-1140-3DR		
			OPTION: 0518, HS65NS		
			INDRA CODE G4004S159700A		
SIZE	FSCM NO.	DWG NO.	REV.		
A	60483	100-7751	C		
SCALE N/S				SHEET 2 of 3	